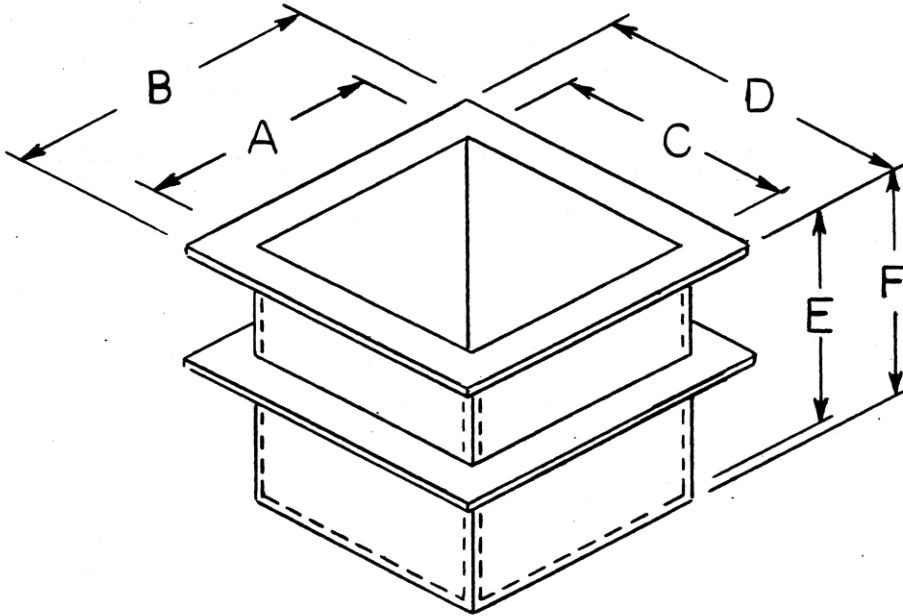




HPI Processes, Inc.

1030 Revenue Drive Telford, PA 18969 Ph: 215-799-0450

TANK WORK SHEET



| DIMENSIONAL SCHEDULE | | | |
|----------------------|---|---|---|
| DIM | 1 | 2 | 3 |
| A | | | |
| B | | | |
| C | | | |
| D | | | |
| E | | | |
| F | | | |
| QTY | | | |

Fill in the dimensions and quantities in the chart and fax or email to HPI Processes, Inc.
 email: joe@hpiro.com fax# 215-799-0459